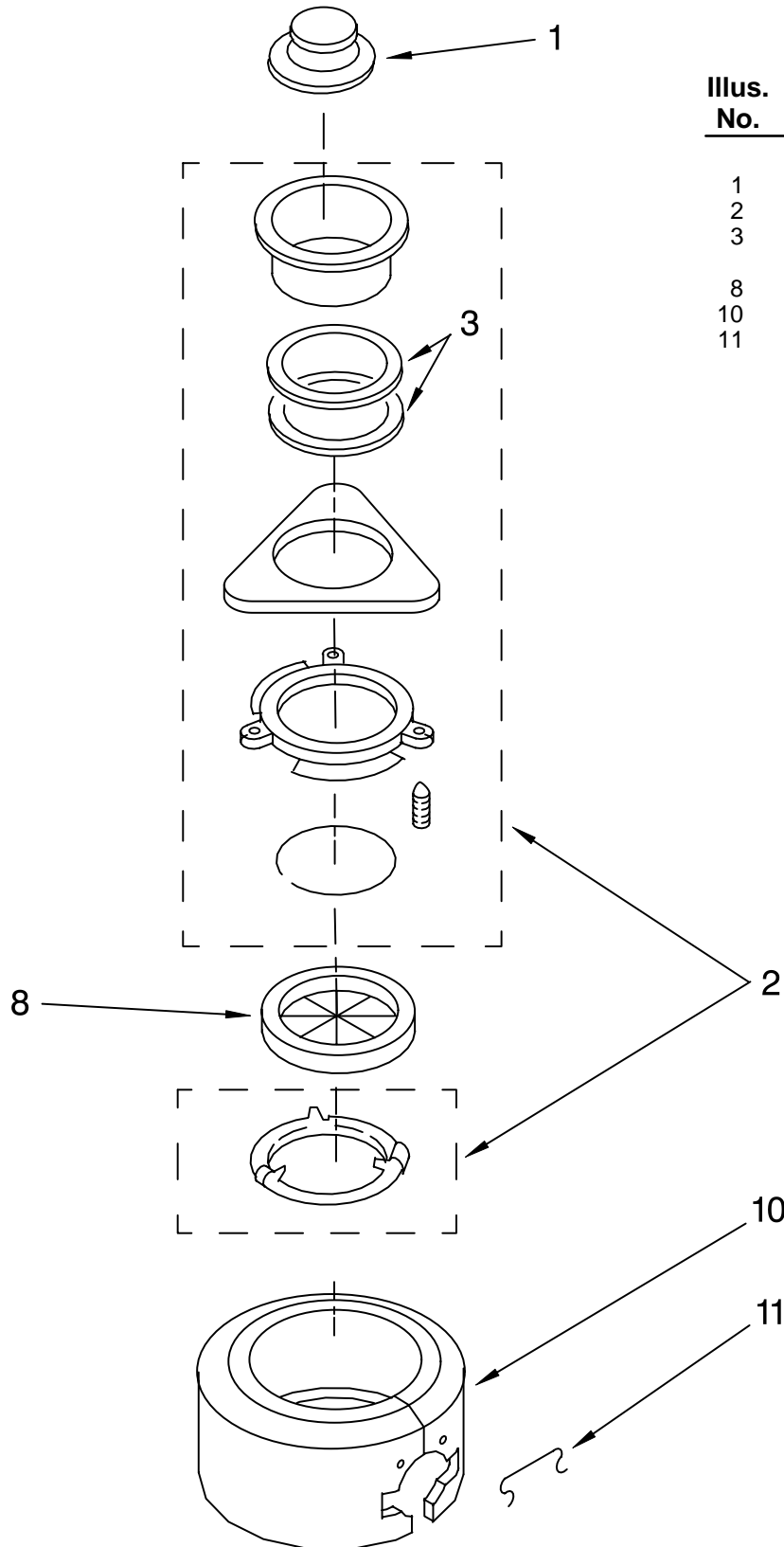


UPPER HOUSING AND FLANGE PARTS

DISPOSER

For Model: KCDB250G2

KitchenAid®

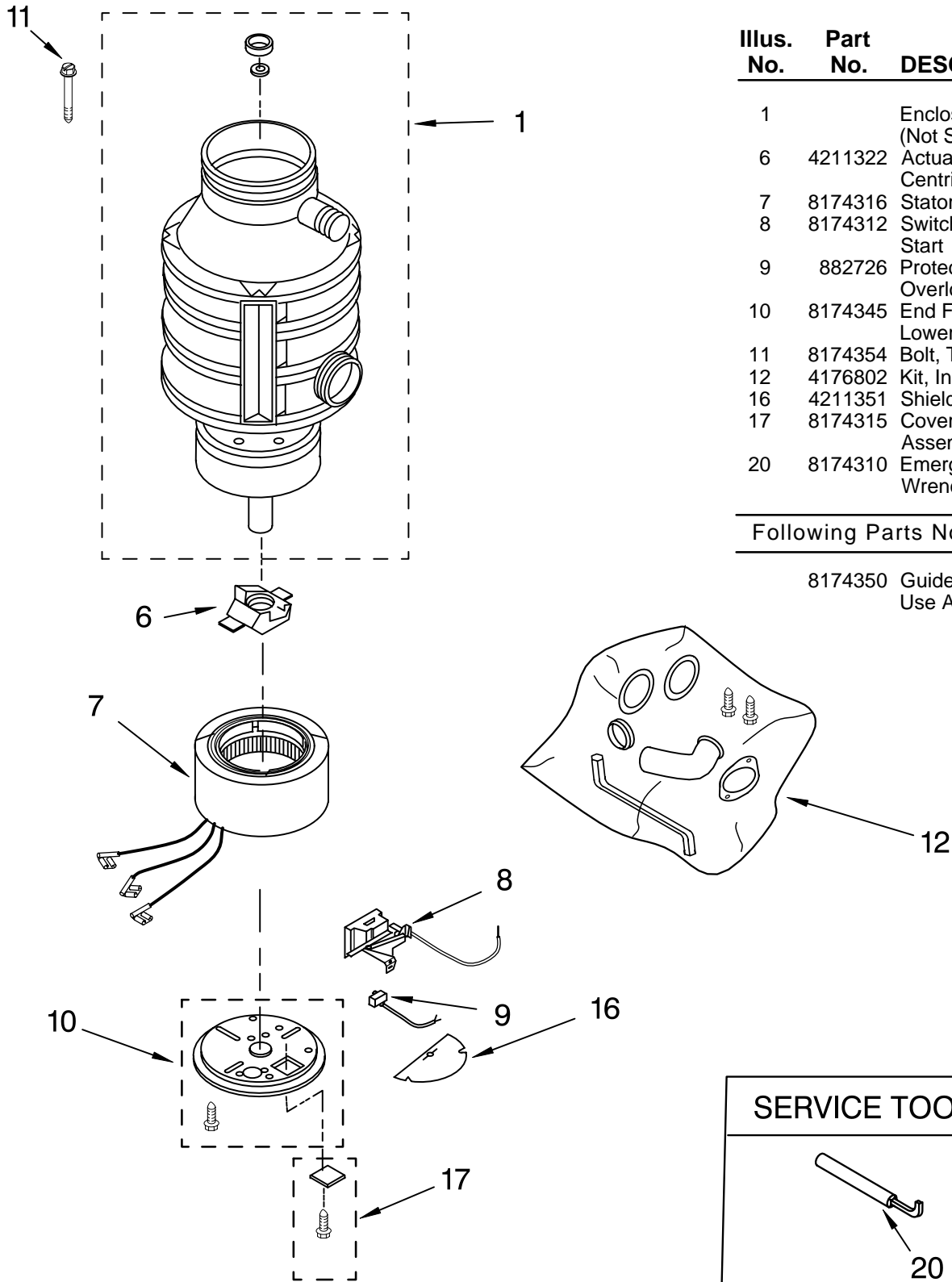


Illus. No.	Part No.	DESCRIPTION
1	4211300	Stopper Assembly
2	8174306	Mounting Assembly
3	4211302	Gasket, Sink Flange
8	4211615	Gasket, Mounting
10	8174341	Trim, Shell Asm.
11	8174342	Clip, Trim shell

FOR ORDERING INFORMATION REFER TO PARTS PRICE LIST

LOWER HOUSING AND MOTOR PARTS

For Model: KCDB250G2



Illus. No.	Part No.	DESCRIPTION
1		Enclosure Assembly (Not Serviceable)
6	4211322	Actuator Assembly, Centrifugal
7	8174316	Stator Assembly
8	8174312	Switch Assembly, Start
9	882726	Protector, Overload
10	8174345	End Frame Assembly, Lower
11	8174354	Bolt, Thru
12	4176802	Kit, Installation
16	4211351	Shield, Wire
17	8174315	Cover, Terminal Assembly
20	8174310	Emergency, Wrench Assembly

Following Parts Not Illustrated

8174350 Guide, Use And Care

FOR ORDERING INFORMATION REFER TO PARTS PRICE LIST